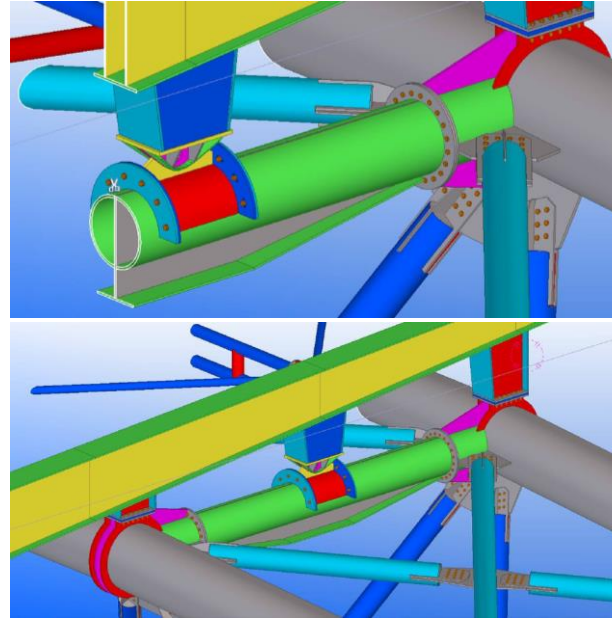
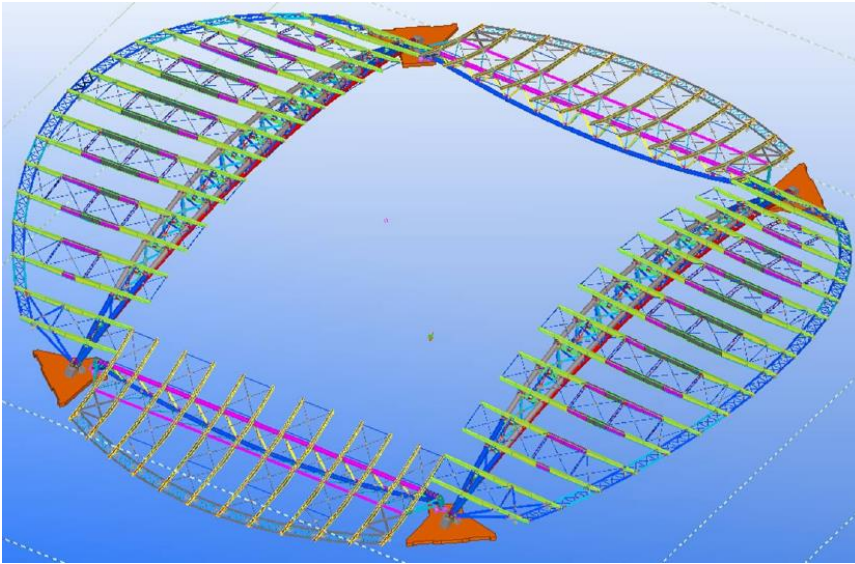


Athens – Roof of the Panathinaikos F.C. Stadium



WORK DATA	
Location	Athens (GRC)
Year	2008
Owner	Panathinaikos F.C.
Client	Design & Application Engineers S.A.
Seats	40'500
STRUCTURAL DESIGN	
Tender	-
Preliminary	-
Consultancy to final project	X
Building site support	-
DESIGNED ELEMENTS	
Roof	Reticular space structure with curved steel beams
Roof Cover	Corrugated steel sheet