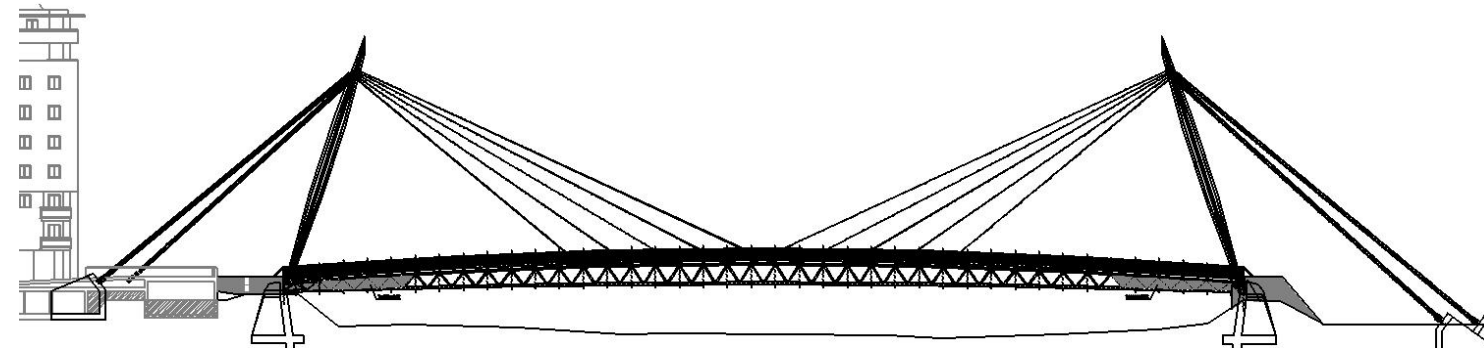
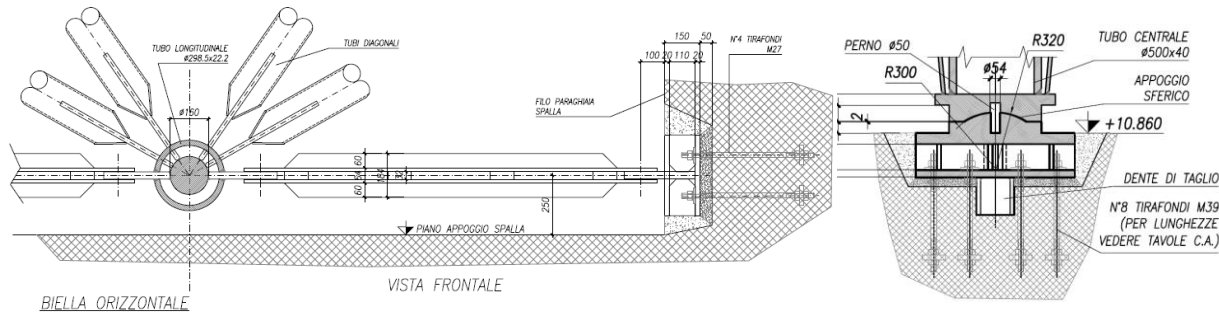
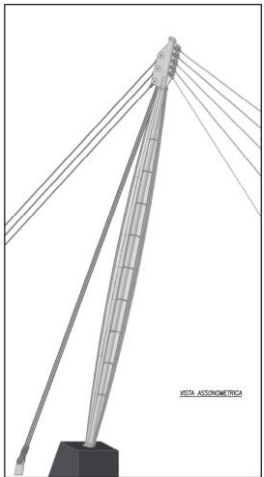


# Pesaro – Footbridge



## WORK DATA

Location	Pesaro (ITA)
Year	2008 – 2010
Owner	Municipality of Pesaro
Client	Municipality of Pesaro
Structural Work budget	€ 800'000
Type of work	New construction

## STRUCTURAL DESIGN

Tender	X
Preliminary	X
Final	X

## CHARACTERISTICS

Type	Pedestrian cable-stayed bridge over river route
Length	100m
Width	Variable from 2.5m to 5m
n° span	1
Span	100m
Main Structure	Asymmetric cable-stayed structure
Deck	Spatial reticular structure
Substructure	Abutments (without piers in the river bed)