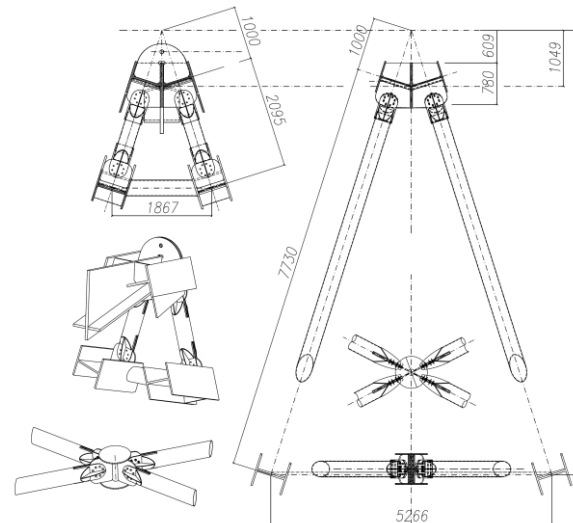
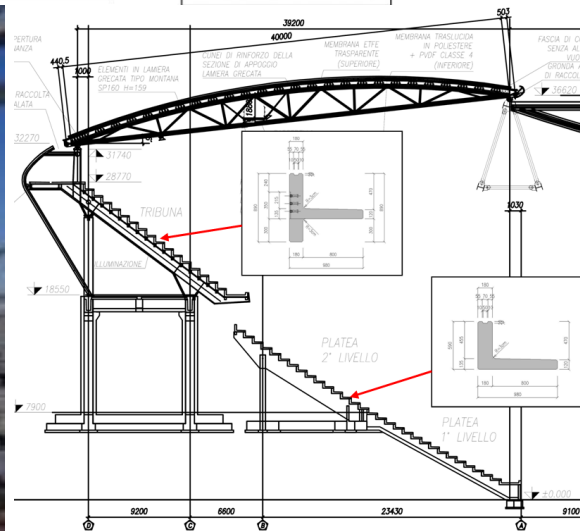
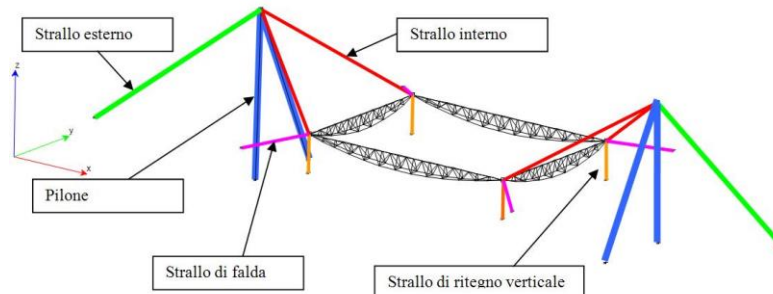
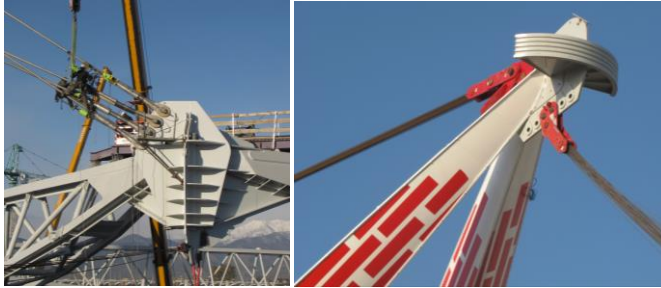


# Turin – Allianz Stadium Juventus



## WORK DATA

Location	Torino (ITA)
Year	2008 – 2010
Owner	Juventus F.C.
Client	Juventus F.C.
Seats	42'000
Works budget	€ 105'000'000

## STRUCTURAL DESIGN

Tender	X
Preliminary	X
Final	X
Building site support	X

## DESIGNED ELEMENTS

Risers	Precast concrete structures
Grandstands	Cast in situ and steel structures
Roof	Structural system with hanged main steel beams and secondary beams
Roof Cover	Membrane
Foundation	Slab on ground and piles