

Istanbul – Vodafone Arena

WORK DATA

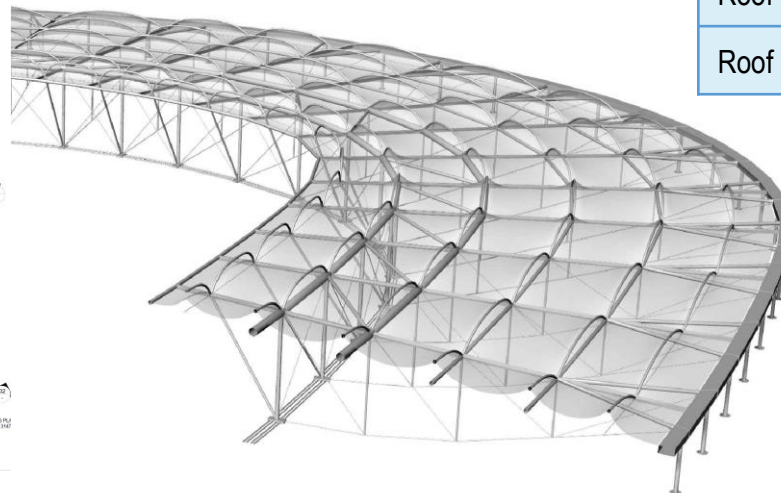
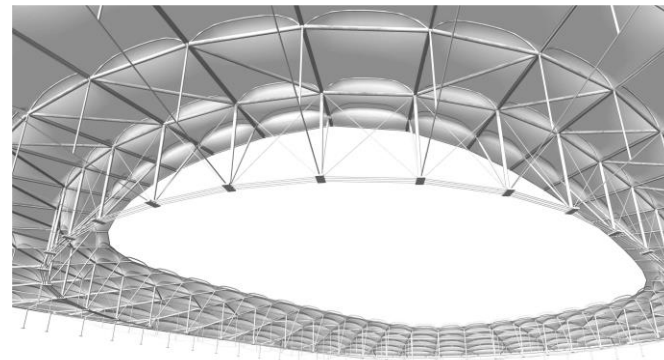
Location	Istanbul (TR)
Year	2014 – 2015
Owner	Besiktas
Client	Besiktas
Seats	42'590
Works budget	€ 125'000'000

STRUCTURAL DESIGN

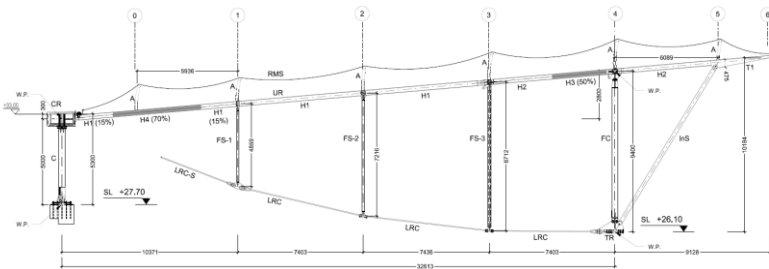
Tender	-
Preliminary	-
Final design validation	X

DESIGNED ELEMENTS

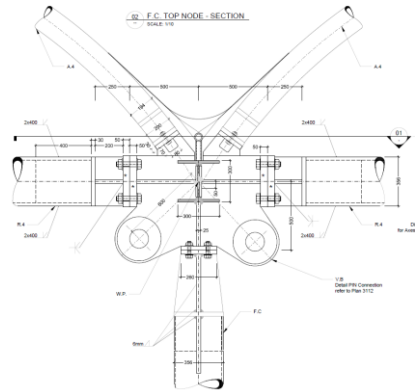
Roof	Spoke Wheel Structures
Roof Cover	Membrane



01 STEEL LAYOUT TRANSVERSAL SECTION
SCALE 1/100



02 F.C. TOP NODE - SECTION
SCALE 1/10



03 F.C. BOTTOM - PLAN VIEW
SCALE 1/10

